



WORLD MAGNETICS

Quick Response...Reliable Solutions

Standard Heads Catalog



World Magnetics

810 Hastings Street • Traverse City, MI 49686 USA
TOLL FREE: 800-643-3884 • PHONE: 231-946-3800 • FAX: 231-946-0274

E-Mail: info@worldmagnetics.com

Internet: <http://www.worldmagnetics.com>

Copyright © 2007 World Magnetics

READ HEADS

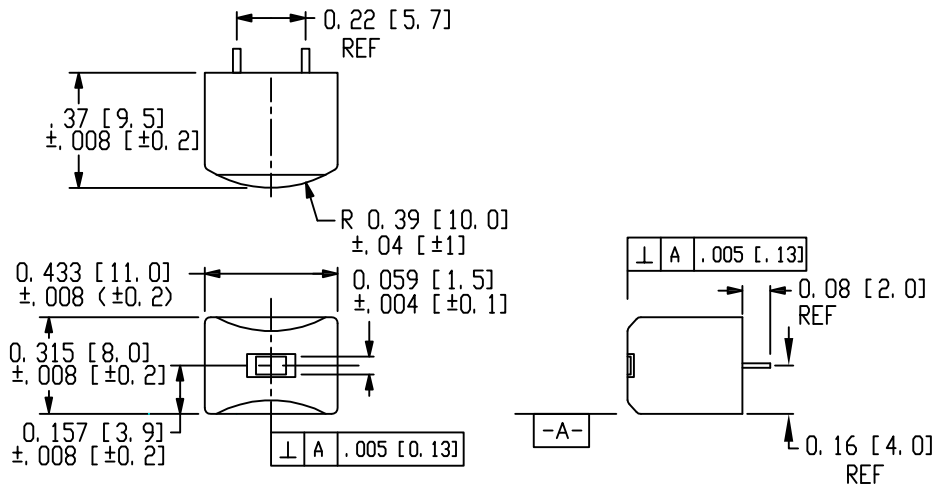
SPECIFICATIONS

INDUCTANCE @ 1 KHZ	110 ± 30 mH
RESISTANCE	280 ± 56 Ω
HIPOT (COIL TO CASE)	100 VDC

NOTE:

ALL DIMENSIONS NOT INDICATED FOR 2 & 3 TRACK ARE THE SAME AS 1 TRACK.

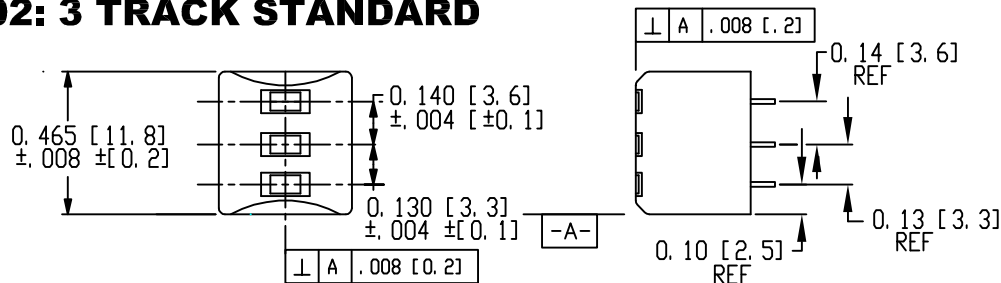
80000: 1 TRACK STANDARD 80017: 1 TRACK EXTENDED WEAR



80001: 2 TRACK STANDARD 80018: 2 TRACK EXTENDED WEAR



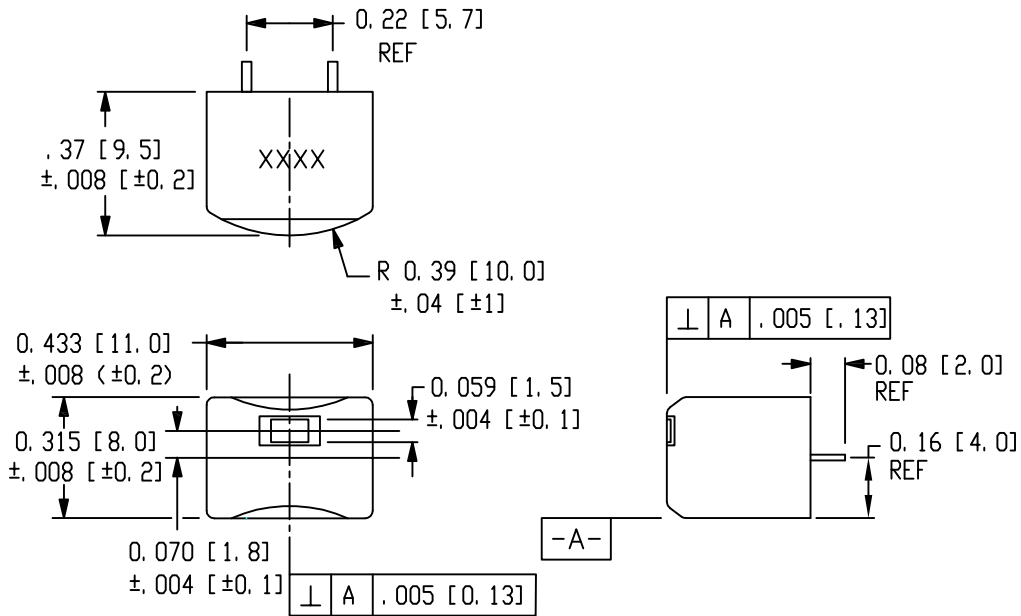
80002: 3 TRACK STANDARD



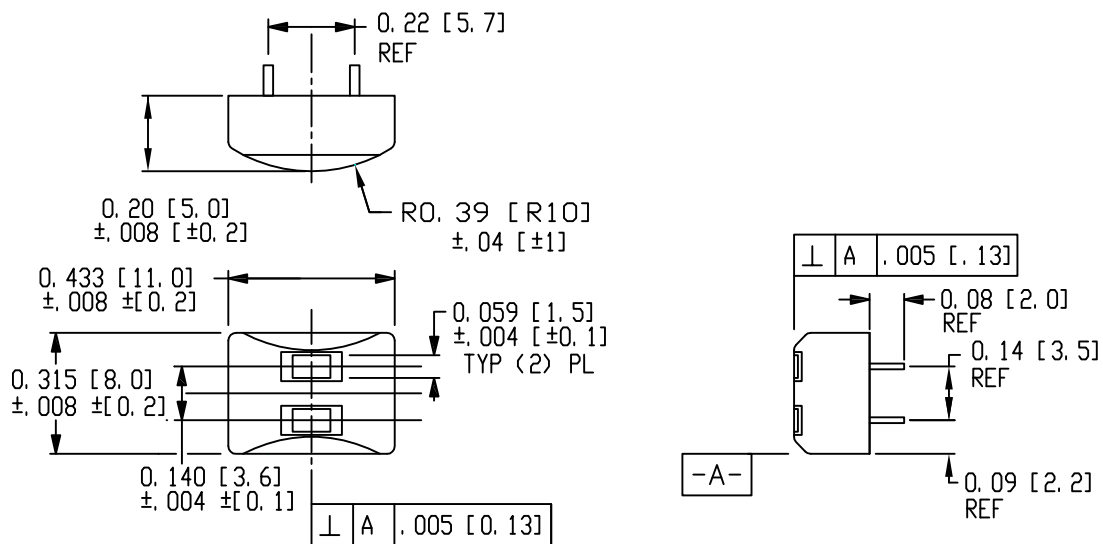
810 HASTINGS ST. * TRAVERSE CITY MI. 49686 * PHONE: 231-946-3800
FAX: 231-946-0274 * TOLL FREE 800-643-3884 * www.worldmagnetics.com

READ HEADS

80031: .07 1 TRACK STANDARD



80028: LOW PROFILE STANDARD

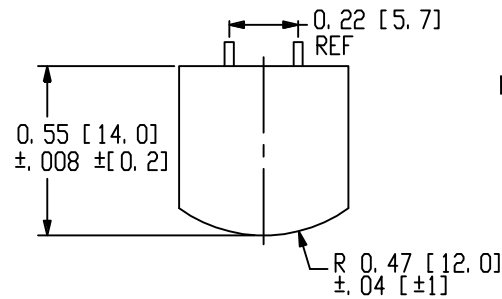


WRITE HEADS

80010: 1 TRACK STANDARD 80020: 1 TRACK EXTENDED WEAR

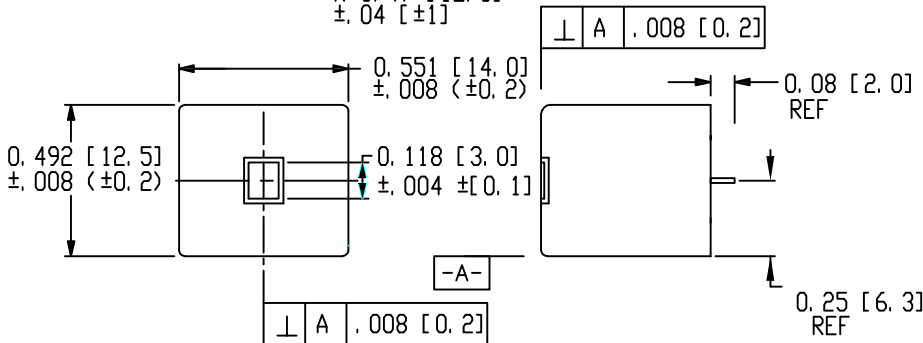
SPECIFICATIONS

INDUCTANCE @ 1 KHZ	3.0 ± 0.9mH
RESISTANCE	9.8 ± 2.5 Ω
HIPOT (COIL TO CASE)	100 VDC



NOTE:

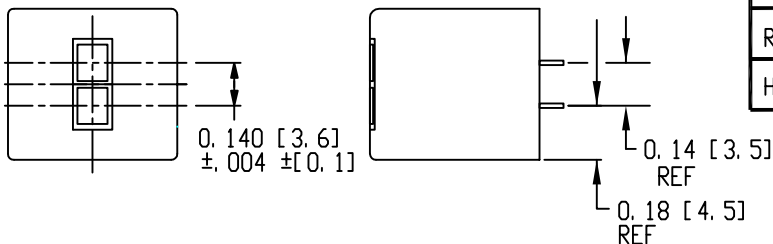
1. ALL DIMENSIONS NOT INDICATED FOR 2 & 3 TRACK ARE SAME AS 1 TRACK.



80011: 2 TRACK STANDARD 80021: 2 TRACK EXTENDED WEAR

SPECIFICATIONS

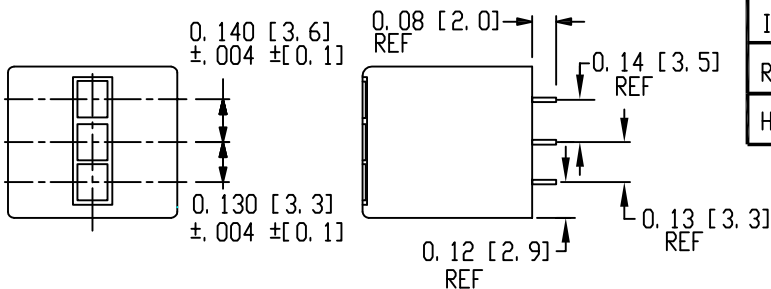
INDUCTANCE @ 1 KHZ	2.5 ± 0.75mH
RESISTANCE	9 ± 2.3 Ω
HIPOT (COIL TO CASE)	100 VDC



80006: 3 TRACK STANDARD 80022: 3 TRACK EXT WEAR

SPECIFICATIONS

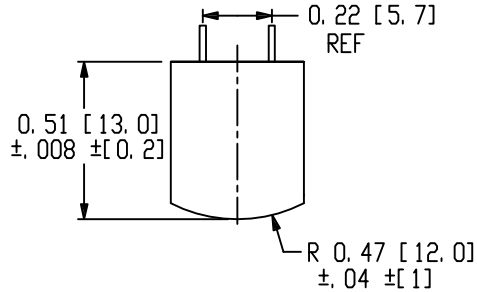
INDUCTANCE @ 1 KHZ	2.5 ± 0.75mH
RESISTANCE	9 ± 2.3 Ω
HIPOT (COIL TO CASE)	100 VDC



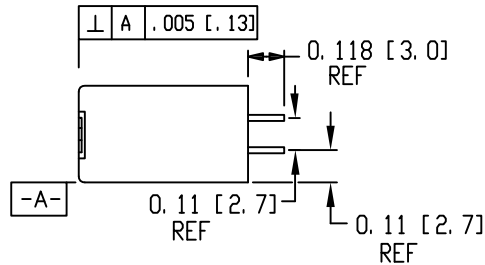
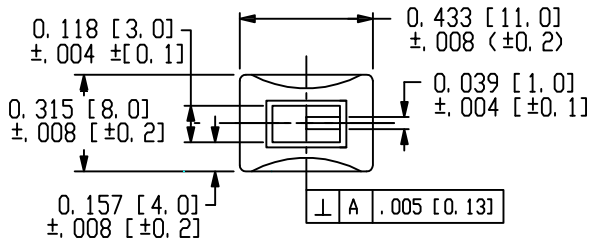
READ/WRITE HEADS

80023: 1 TRACK EXTENDED WEAR

SPECIFICATIONS

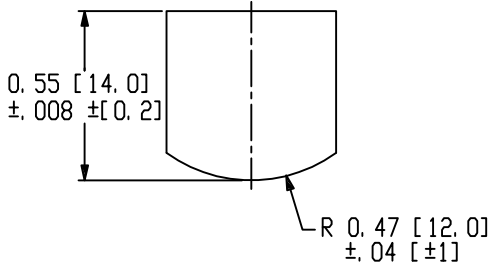


INDUCTANCE @ 1 kHz	READ	100 ±30 mH
	WRITE	3.0 ±0.9 mH
RESISTANCE	READ	170 ±43 Ω
	WRITE	7.5 ±1.9 Ω
HIPOT (COIL TO CASE)		100 VDC

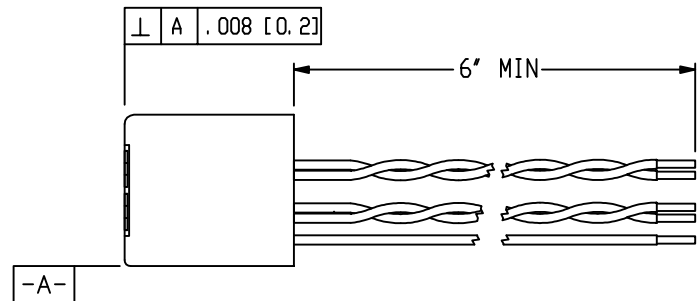
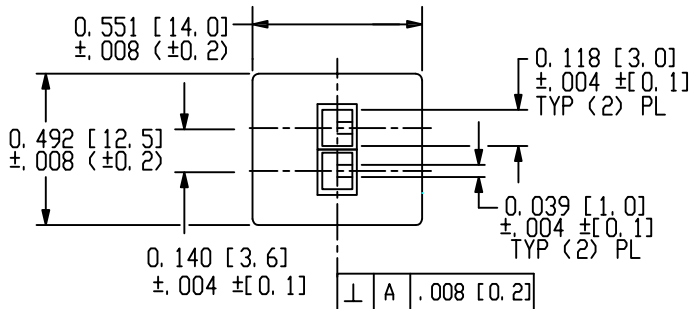


80007: 2 TRACK EXTENDED WEAR

SPECIFICATIONS

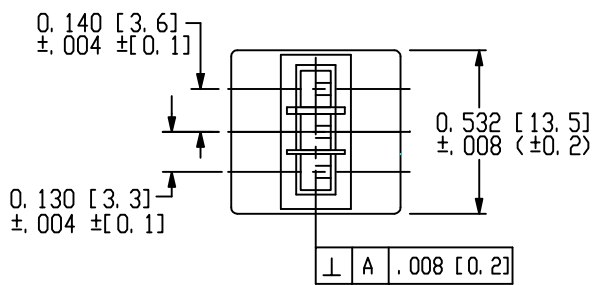
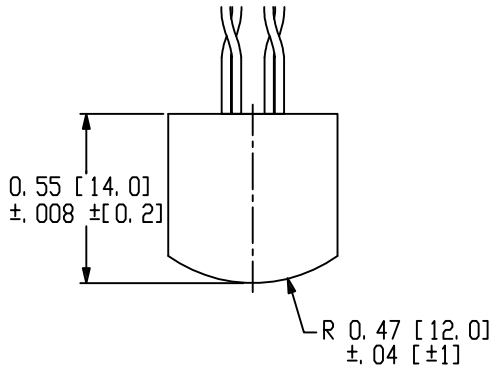


INDUCTANCE @ 1 kHz	READ	120 ±36 mH
	WRITE	7.0 ±2.1 mH
RESISTANCE	READ	180 ±45 Ω
	WRITE	20 ±5 Ω
HIPOT (COIL TO CASE)		100 VDC



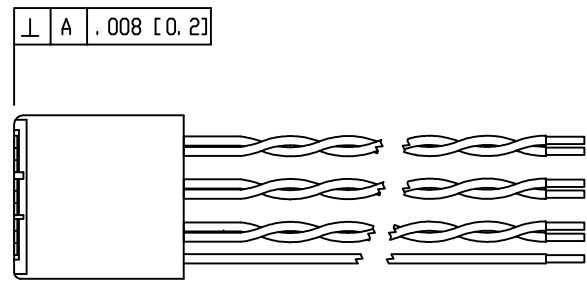
READ/WRITE HEADS

80008: 3 TRACK EXTENDED WEAR



SPECIFICATIONS

INDUCTANCE @ 1 KHZ	READ	110 ±33 mH
	WRITE	6.5 ±2.0 mH
RESISTANCE	READ	180 ±45 Ω
	WRITE	9 ±2.3 Ω
HIPOT (COIL TO CASE)		100 VDC



MICR HEAD

80014: MICR READ HEAD

SPECIFICATIONS

INDUCTANCE @ 1 KHZ	400 mH ± 30%
RESISTANCE (OHM)	450 ± 25%
HIPOT (COIL TO CASE)	300 VDC
GAP LENGTH	.001" [.025 mm]
LAMINATION THICKNESS (NOMINAL)	.008" [.2 mm]

